



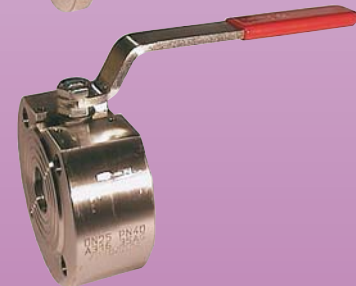
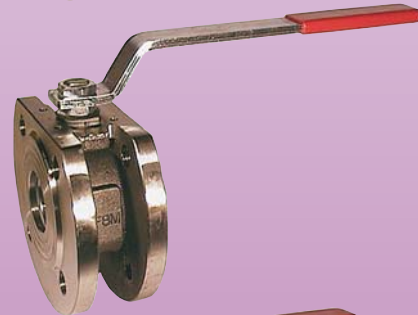
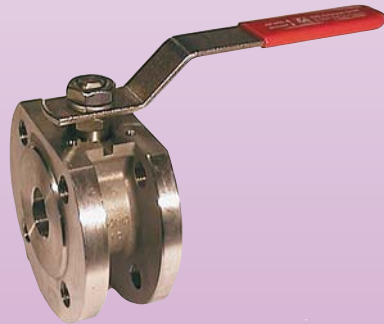
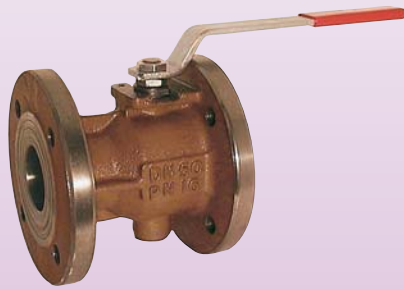
## Flanged Ball Valves

2-Way Ball Valves

Made of Various Materials



measuring  
•  
monitoring  
•  
analysing



- pmax. PN 40
- tmax. +180 °C
- Connections:  
Flanges DN 15 to DN 200
- For steam, gaseous,  
liquid and viscous media
- Overall length DIN 3202 F4/5
- Stainless steel, GG-25



KOBOLD companies worldwide:

ARGENTINA, AUSTRIA, BELGIUM, CANADA, CHILE, CHINA, CZECHIA,  
FRANCE, GERMANY, GREAT BRITAIN, INDIA, INDONESIA, ITALY,  
MALAYSIA, MEXICO, NETHERLANDS, POLAND, SINGAPORE, SLOVAKIA,  
SPAIN, SWITZERLAND, THAILAND, USA, VENEZUELA, VIETNAM

KOBOLD Messring GmbH  
Nordring 22-24  
D-65719 Hofheim/Ts.  
☎ +49(0)6192 299-0  
Fax +49(0)6192 23398  
E-Mail: info.de@kobold.com  
Internet: www.kobold.com

Models:  
KUG-  
VO, VK



**Design**

Multiple-piece construction with full-bore (DN 25 to DN 125 = one-piece version; DN 150 to DN 200 = two-piece version), with mounting pad for actuator as per ISO 5211.

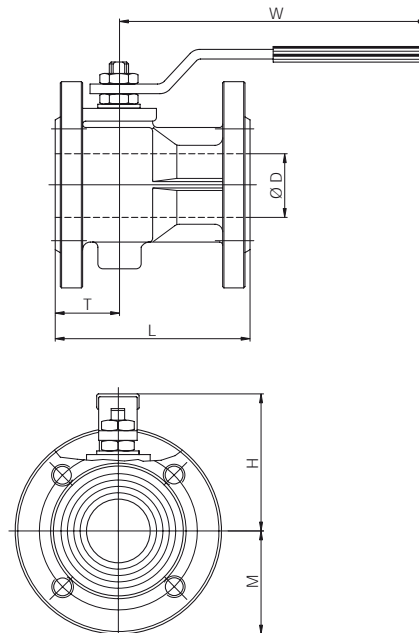
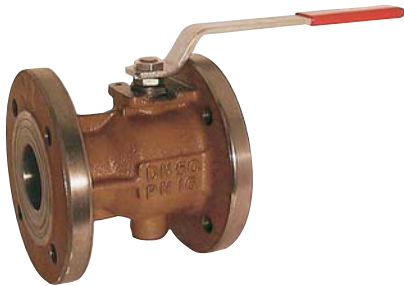
**Materials**

Body: cast iron GG-25  
 Ball: brass, hard-chrome plated  
 Ball gasket: PTFE  
 Spindle gasket: PTFE/NBR  
 Handle: steel, zinc coated, plastic sheathed, red

**Technical Details**

Connections: flanges as per DIN 2533  
 DN 25 to DN 200  
 Overall length: as per DIN 3202-F4/5  
 Temperature range: -20°C to +120°C  
 Nominal pressure: PN 16 dimensioned, with threaded holes, to 80°C  
 Operation: 90° rotation of the handle  
 (Handle is reversible through 180°)

**KUG-VO**



**Dimensions and Order Details** (example: KUG-VOF 25)

Flange [DN]	Order no.	D [mm]	L [mm]	H [mm]	M [mm]	W [mm]	T [mm]	k <sub>v</sub> value [m <sup>3</sup> /h]
25	KUG-VOF 25	25	125	78.0	57.5	174.5	42	43
32	KUG-VOF 32	32	130	85.0	70.0	174.5	47	89
40	KUG-VOF 40	40	140	101.5	75.0	250.5	49	230
50	KUG-VOF 50	50	150	107.5	82.5	250.5	52	265
65	KUG-VOF 65	65	170	125.5	92.5	321.5	65	540
80	KUG-VOF 80	80	180	137.0	100.0	321.5	66	873
100	KUG-VOF 1H	100	190	157.0	110.0	381.5	89	1390
125	KUG-VOF 1Z	125	200	179.5	125.0	381.5	100	1707
150	KUG-VOF 1F	150	210	237.0	142.5	700.0	105	2024
200	KUG-VOF 2H	200	400	279.0	170.0	700.0	200	2720

**Design**

One-piece compact construction with full-bore, mounting pad for actuator as per ISO 5211.

**Please note:**

**From nominal size DN 40, valves are supplied with double-flange connections.**

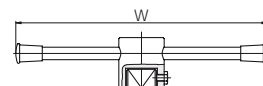
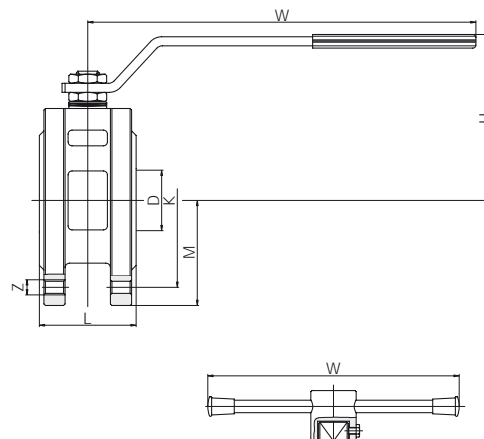
**Materials**

- Body: stainless steel 1.4401 (from DN 40: 1.4408)
- Ball: stainless steel 1.4401
- Ball gasket: PTFE, glass-fiber reinforced
- Spindle gasket: PTFE/FKM
- Handle: steel, zinc coated, plastic sheathed (DN 150 to DN 200: steel, coated)

**Technical Details**

- Connections: flanges as per DIN 2533 DN 15 to DN 200
- Temperature range: -30°C to +160°C
- Nominal pressure: PN 16 dimensioned and with threaded holes, to 80°C
- Operation: 90° rotation of the handle (Handle is reversible through 180°)

**KUG-VK**



Handle DN 150 - DN 200

**Dimensions and Order Details** (example: KUG-VKF 15)

Flange [DN]	Order no.	Ø D [mm]	L [mm]	H [mm]	M [mm]	Z [mm]	K [mm]	W [mm]	k <sub>v</sub> value [m <sup>3</sup> /h]	Weight [kg]
15	KUG-VKF 15	15	35.0	64.5	45	4xM12	65	131.5	16.3	1.3
20	KUG-VKF 20	20	40.0	69.0	50	4xM12	75	131.5	29.5	1.9
25	KUG-VKF 25	25	46.0	80.5	55	4xM12	85	174.5	43.0	2.7
32	KUG-VKF 32	32	54.0	84.5	65	4xM16	100	174.5	89.0	4.2
40	KUG-VKF 40	38	63.5	102.5	75.0	4xM16	110	250.5	230.0	4.2
50	KUG-VKF 50	50	82.0	111	82.5	4xM16	125	250.5	265.0	6.1
65	KUG-VKF 65	64	103.0	128.0	92.5	4xM16	145	321.5	540.0	10.0
80	KUG-VKF 80	76	122.0	138.5	100.0	8xM16	160	321.5	873.0	13.5
100	KUG-VKF 1H	100	152.0	156.5	110	8xM16	190	381.5	1390.0	20.9
150	KUG-VKF 1F	150	232.0	237.0	142.5	8xM20	250	700.0	2024.0	61.5
200	KUG-VKF 2H	200	317.0	280.0	170	12xM20	320	700.0	2720.0	102

You will find food, analytical metrology and moisture measurement technology in our brochures L1, A1, A2



You will find control units and relays, instruments for measuring angle of rotation and timers in our brochures Z2, Z3, Z4

